



ACEPOWER

Golf Car

12V/48V Li-ion Battery



Advanced Features

- + LiFePO4 cells, more safety and stable
- + Life cycle: >5000 (80% DOD)
- + Long design life, more than 10 years
- + Front / Rear Installation optional
- + Communication protocols: CANBUS
- + Easy capacity extension by parallel connection for 51.2V pack
- + Easy voltage extension by series connection for 12.8V pack
- + Separate control and protection for charge and discharge processes
- + Real-time detection of the voltage, current, temperature, SOH, and SOC
- + Maintenance friendly



Application Scenarios

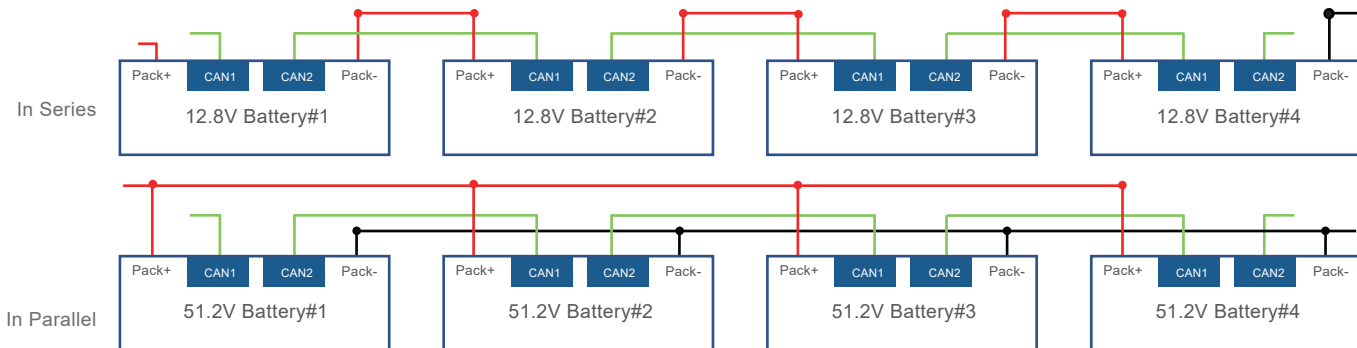
- + 2-11 seats Club car / Golf car
- + 2-11 seats Electric boat
- + 2 seats Electric two wheels
- + 2-11 seats Electric three wheels



Reliable Durable Batteries

ACE is an industry leading manufacturer focusing on R&D, production and sales of lithium ion cell and custom battery packs, serving diversified industries covering e-mobility to various industrial applications. With 20 years' experience in the industry, we have accumulated profound engineering capabilities and exported to more than 30 countries.

ACE lithium batteries can be used in a variety of MEWP applications, offers a range of advanced safety , environmental, Intelligent, run time and lifetime from its superior cell and battery design to its intelligent. ACE lithium batteries deliver outstanding return on investment overtime.



Shenzhen Ace Battery Co., Ltd.

Add: Block B, BAK Industrial Park, Kuipeng Rd., Dapeng, Shenzhen
 Tel: +86-755-8887 8567
 Web: www.acebattery.com



Golf Car Battery Pack

■ Specifications

Model	51.2V 40AH	51.2V 50AH	12.8V 160Ah	12.8V 200Ah
Cell Material	LFP 2614897	LFP 26148129	LFP 2614897	LFP 26148129
Cell Specifications	3.2V/40Ah(16S1P)	3.2V/50Ah(16S1P)	3.2V/40Ah(4S4P)	3.2V/50Ah(4S4P)
Rated Voltage [V]	51.2	51.2	12.8	12.8
Rated Capacity [Ah]	40	50	160	200
Total Energy [Wh]	2048	2560	2048	2560
Charge Voltage [V]	58.4	58.4	14.6	14.6
Max. Charge Current [A]	20	25	80	100
EOD Voltage [V]	44.8	44.8	11.2	11.2
Max. Discharge Current [A]	180			
Max Discharge Current Time for [min]	3			
Peak Discharge Current [A, <1s]	510			
Dimensions [W*D*H, mm]	345*190*245			
Weight [kg]	18.5	22.5	18.5	22.5
Fuse	Yes			
Max. Number of Packs (In Parallel or In series)	8 In Parallel	8 In Parallel	4 In Series	4 In Series
IP Grade	IP65 / IP67			
Storage Temperature [°C]	(-20 to +55)			
Working Temperature [°C]	Charge: 0 to 45			
Operating Temperature [°C]	Discharge: -20 to +60			
Relative Humidity	0 ~ 95%RH (non-condensing)			
Communication Port	Double CAN			
Protection	Over voltage protection, low voltage protection, high temperature protection, low temperature protection, and short circuit protection			
Certification	IEC62619, UN38.3, FCC, ROHS			

The datasheet is subject to change without prior notification.