



ACEPOWER

Telecom

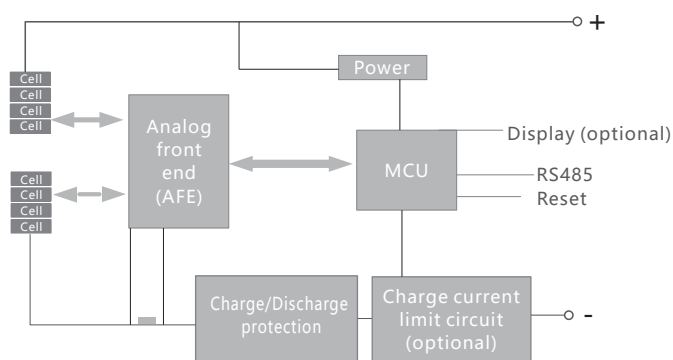
48V Rack-Mounted Telecom Li-ion Battery



Product Features

- + Low voltage in 48Vdc. 50Ah or 100Ah
- + Life cycle: > 3000
- + Long design life 8 years
- + Front / Rear Installation optional
- + Communication protocols: RS485, CAN
- + Easy capacity extension by paralleled
- + LiFeO4 technology, more safe and stable
- + Separate control and protection for charge and discharge processes
- + Real-time detection of the voltage, current, temperature, SOH, and SOC
- + Maintenance free
- + Support for parallel connection

Circuit Topology



Product Introduction

The ACE Silverbric series 48V rack-mounted telecom li-ion batteries are designed for the telecommunications market. This series combines safe and reliable ACE LFP prismatic cells with dedicated battery management system (BMS) to provide high system reliability safety and scalability when used with, different telecommunication devices. Within this product, new li-ion batteries can be used with old ones at the same time. The product can be installed in a 19" or 21" standard cabinet or rack.



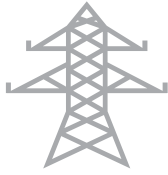
Application Scenarios

- + Traditional telecom base stations: square cabins, cabinets, and tower, etc.
- + 5G telecom base stations
- + 48V backup energy storage systems
- + 1-6KW UPS
- + Data Center
- + Solar Inverter
- + Home energy storage



Shenzhen Ace Battery Co., Ltd.

Add: Block B, BAK Industrial Park, Kuipeng Rd., Dapeng, Shenzhen
 Tel: +86-755-8887 8567
 Web: www.acebattery.com



48V Rack-Mounted Telecom Li-ion Battery

Specifications

Model	APT4850	APT48100
Rated Voltage [V]	48	48
Rated Capacity [Ah]	50	100
Total Energy [Wh]	2400	4800
Charge Voltage [V]	53.2	53.2
Max. Charge Current [A]	25	50
EOD Voltage [V]	42	42
Max. Discharge Power [W]	3200	6400
Discharge Time [min]	30	30
Peak Discharge Power [W, -3s]	3840	7680
Dimensions [W*D*H, mm]	442*390*130	535*812*88
Weight [kg]	28	51
Breaker	100A	200A
Max. Number of Packs (In Parallel)	8	
IP Grade	IP20	
Storage Temperature [°C]	(-20 to +55)	
Working Temperature [°C]	Charge: 0 to 45	
Operating Temperature [°C]	Discharge: -20 to +60	
Relative Humidity	0 ~ 95%RH (non-condensing)	
Communication Port	RS485/CAN 2.0 (RS485 by default)	

Protection Over voltage protection, low voltage protection, high temperature protection, low temperature protection, and short circuit protection

Certification UL62368, IEC62619, FCC, UN38.3

The datasheet is subject to change without prior notification.

Performance Curve

